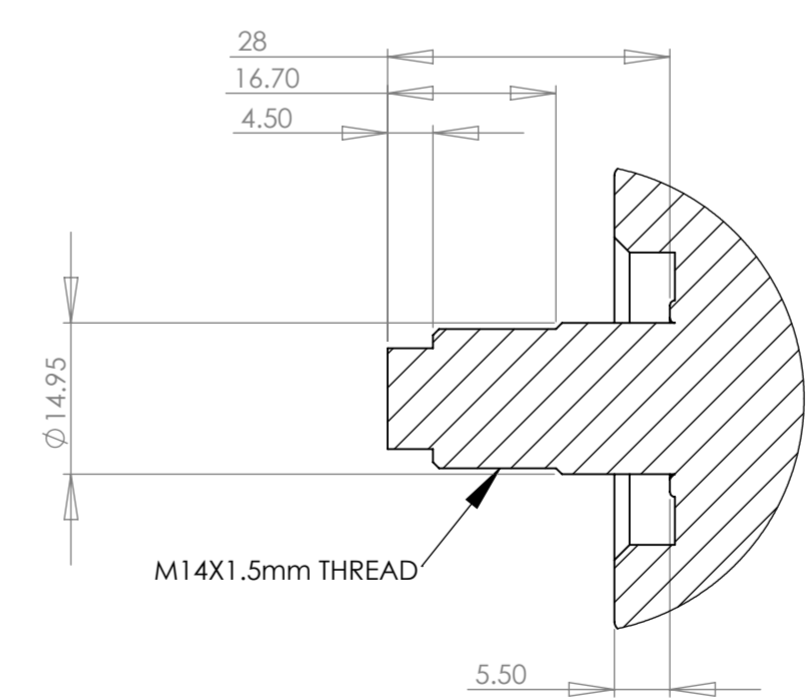
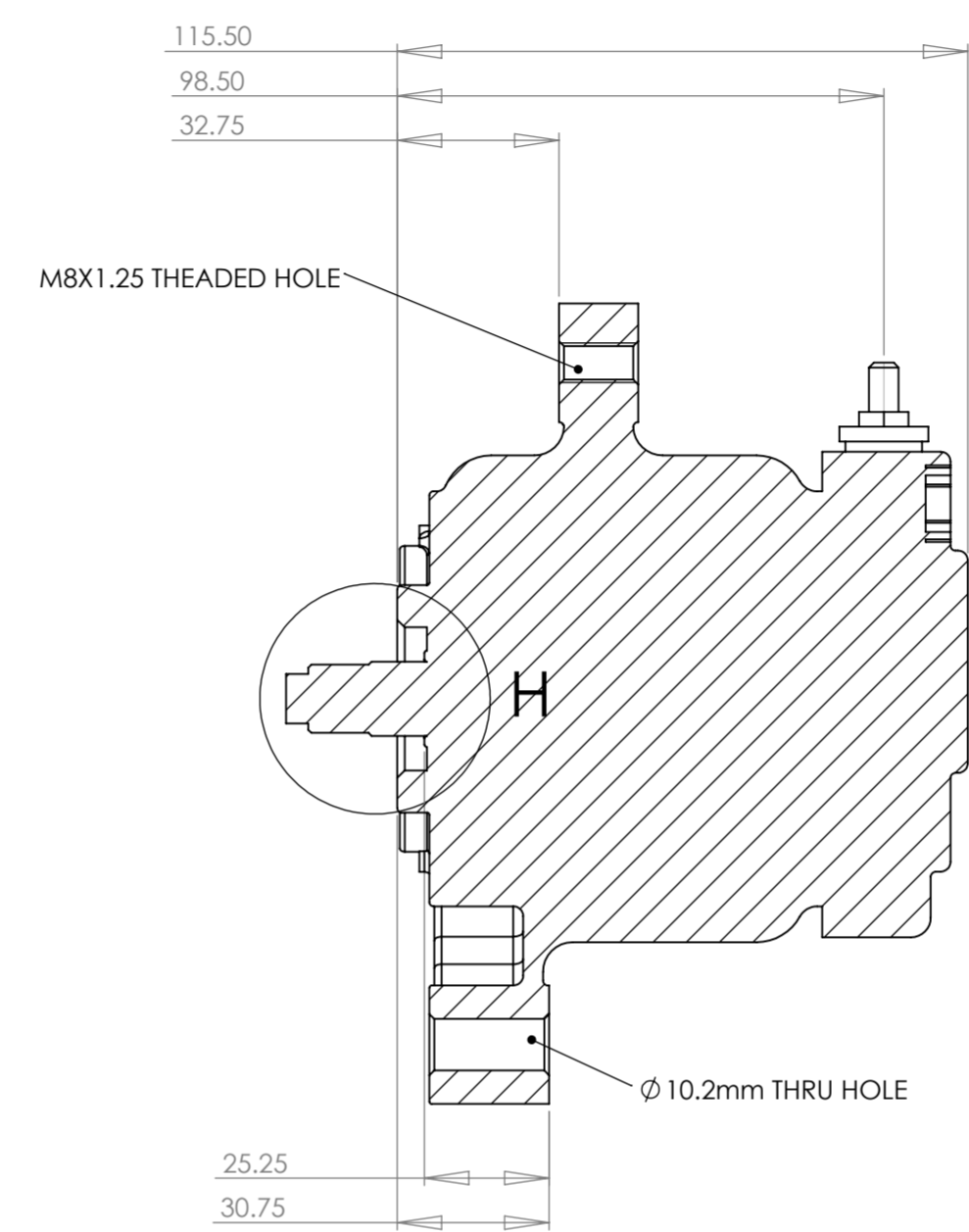
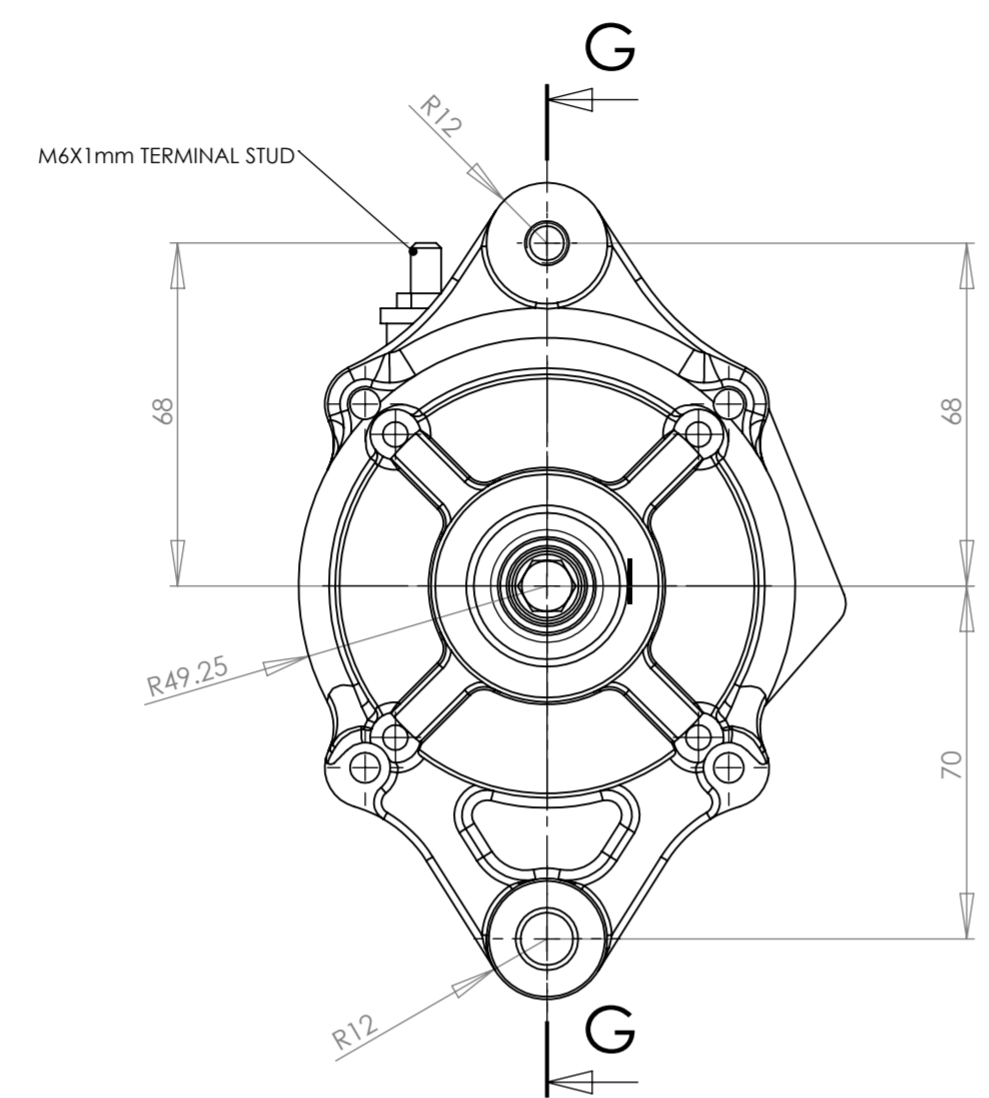
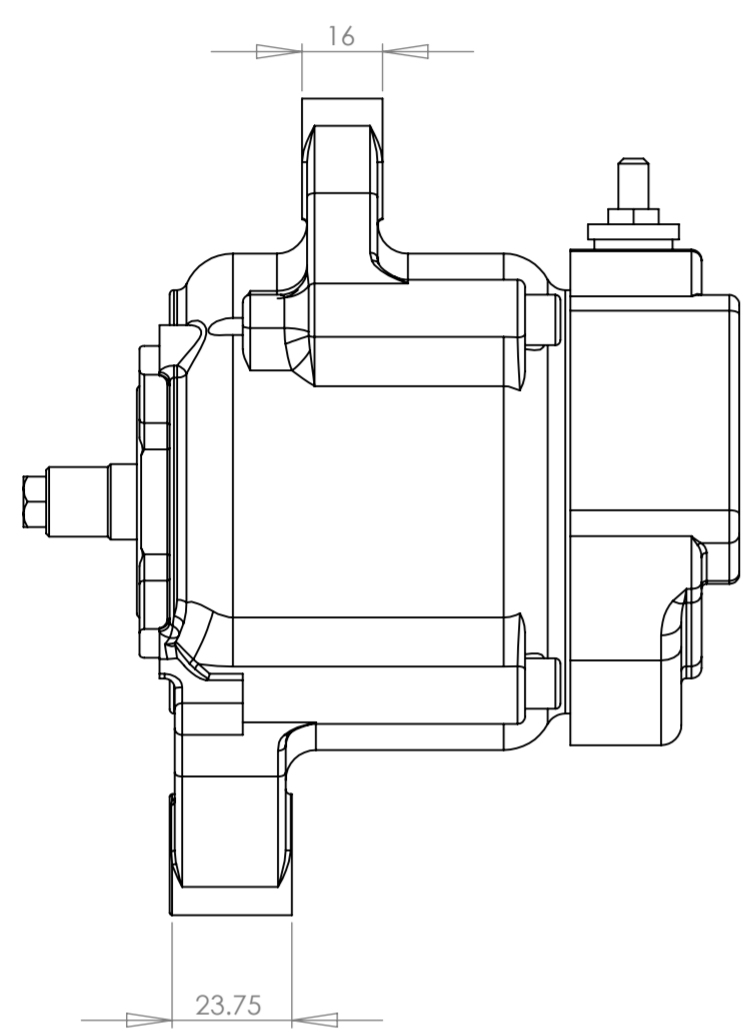
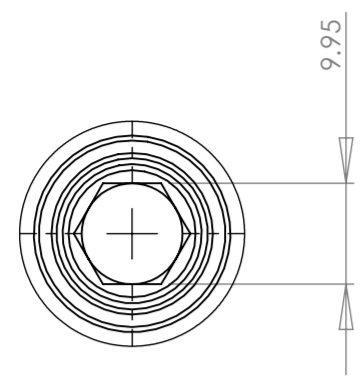
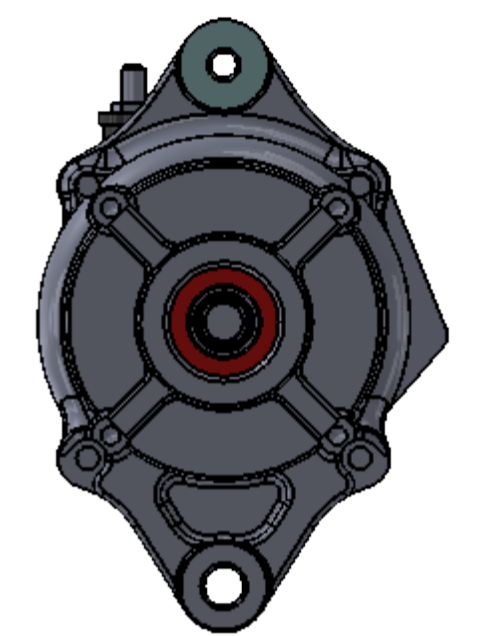


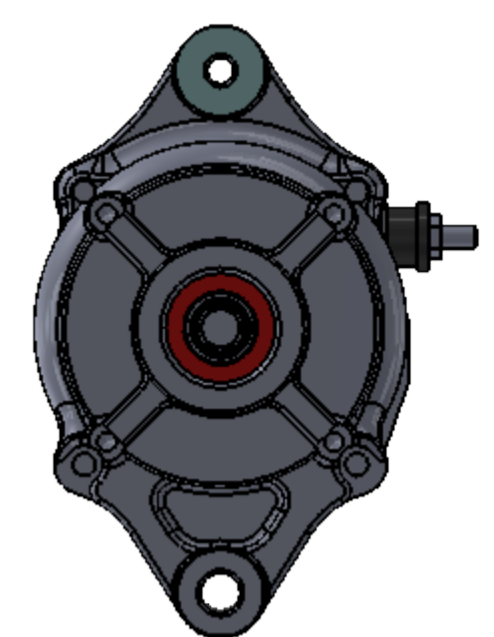
DETAIL I
SCALE 2 : 1.5



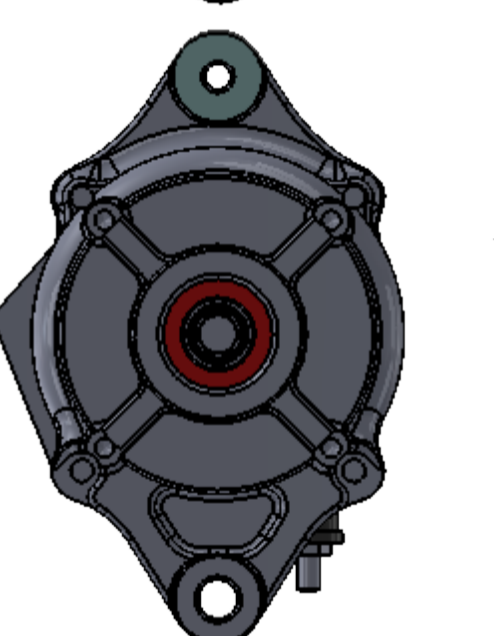
FRONT VIEW
TYPE 'A'



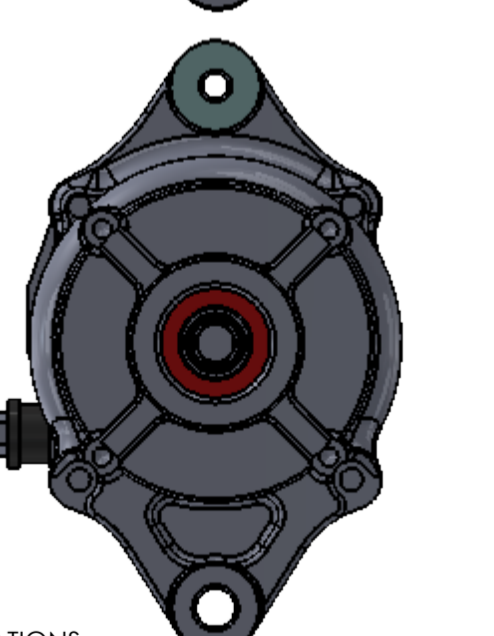
FRONT VIEW
TYPE 'B'



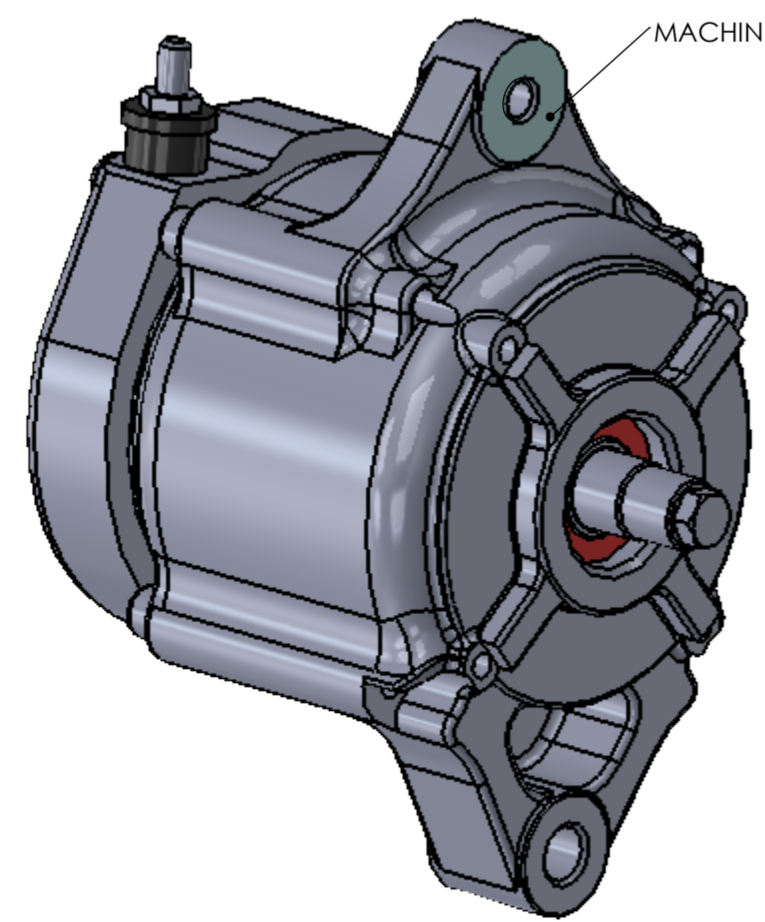
FRONT VIEW
TYPE 'C'



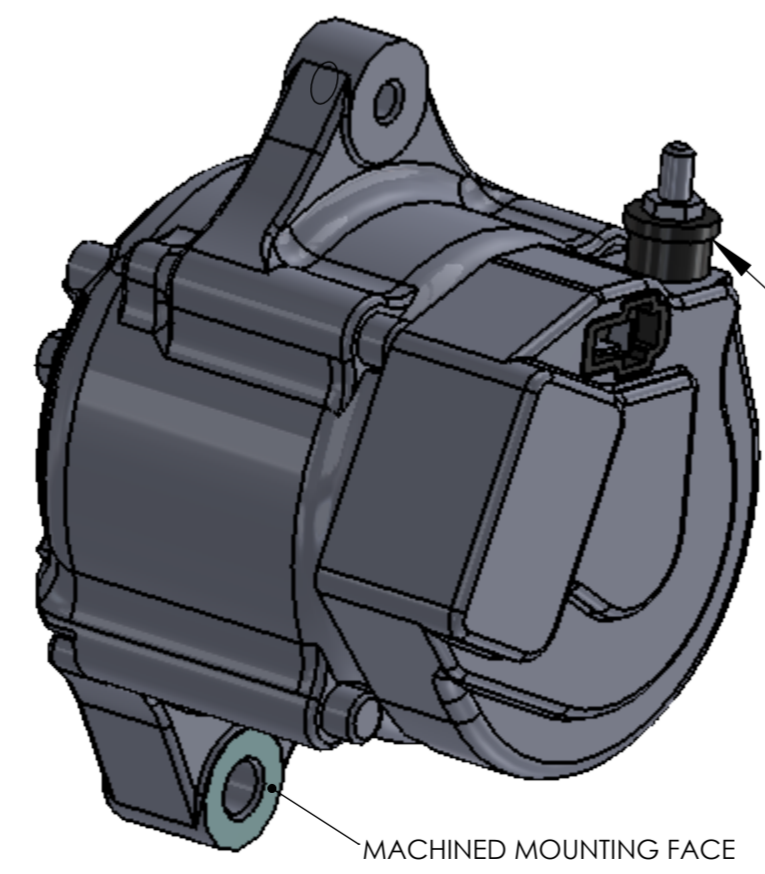
FRONT VIEW
TYPE 'D'



REAR PLUG CONFIGURATIONS



MACHINED MOUNTING FACE



MACHINED MOUNTING FACE

TERMINAL AND PLUG
SHOWN IN TYPE 'A'
CONFIGURATION

DETAIL H
SCALE 2 : 1.5

DRAWN BY D CUDD	DATE 04/07/16	SIGNED	DRAWING NUMBER LMA200	DRAWING TITLE LMA200 INSTALLATION DRAWING	PROJECT TITLE ALTERNATOR DRAWINGS
UNLESS OTHERWISE SPECIFIED: DIMENSIONS ARE IN MILLIMETERS TOLERANCES: UNLESS OTHERWISE SPECIFIED LINEAR : ±0.1MM ANGULAR : ± 0.5° DEBUR AND BREAK SHARP EDGES			MATERIAL: N/A	FINISH: N/A	
REVISION	MADE BY	DATE	REVISION MADE		



ALL DRAWINGS ARE COPYRIGHT TO WOSPERFORMANCE LTD

ALWAYS SCALE FROM DIMENSIONS

SHEET 1 OF 1